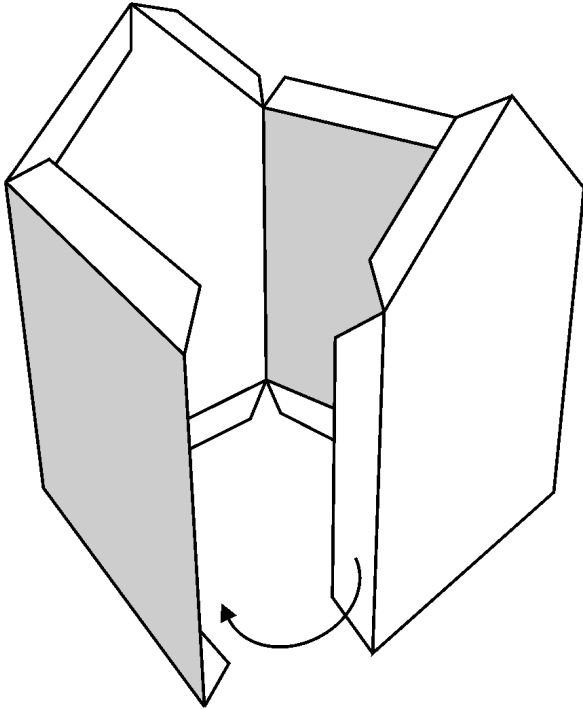


Medieval Adventures Play Set

ASSEMBLING THE HOUSE

These instructions apply to the basic shape of all houses. Some houses will have additional parts, but the instructions will be added.



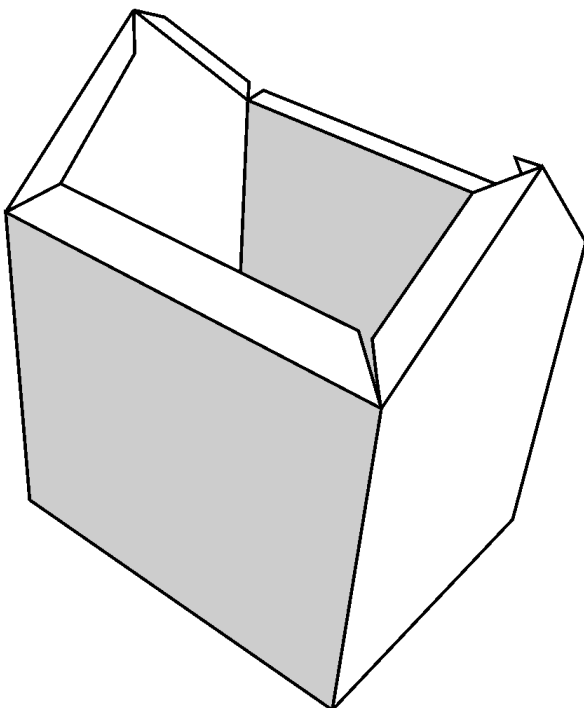
First review the instructions from the general guidelines to assemble the different parts of your play-set model.

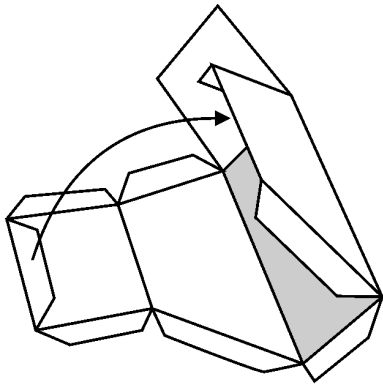
A very important part in creating a nice model is scoring.

After you have cut out a piece from the page, you need to score the dotted lines. Using a ruler and a dull point, press over the dotted line. This will help you to make a crisp straight fold.

After you have cut and score the piece you need to assemble, it will be very easy to fold and glue.

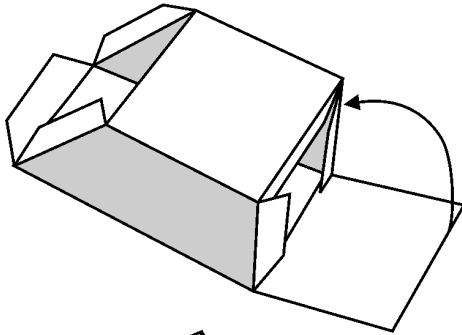
So once you have cut out the piece, score well along the dotted lines, then try out first before gluing to make sure you understand how the pieces fold then glue it.





The chimney part may seem complex to assemble, but it is not difficult. Though it is smaller than the house part, once you have cut out the piece and scored, it will be easy to fold and you will see the chimney taking shape.

Take your time, score well, and it will work fine.



Cut and fold the roof, then assemble your house together.

There it is, you did it!

Congratulations!

Other houses may have other details added, but I will guide you with clear instructions.

